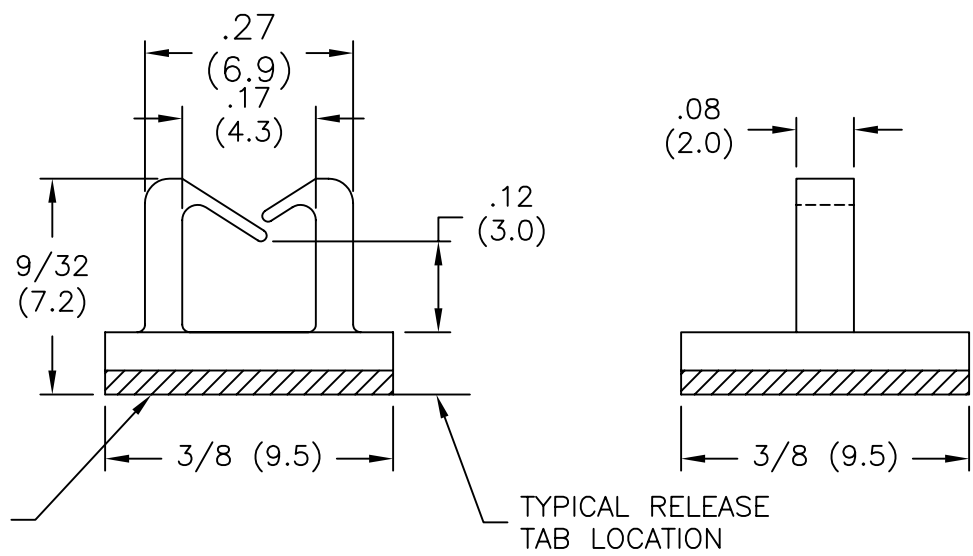


MAT'L: NYLON 66, (RMS-01), COLOR: NATURAL. PART NO.	MAT'L: FLAME RET. NYLON 66 (RMS-19), COLOR: NATURAL. PART NO.
MWSB-1-01A-RT	MWSB-1-19A-RT



DOUBLE ADHESIVE TAPE,
1/32 (0.8) THICK

TYPICAL RELEASE
TAB LOCATION

TITLE: MICRO WIRE SADDLE ON BASE			⊙	▭	DWG IN IN (MM)	QR	
D	RMS-19 MADE AS STANDARD AND CHANGED FILE NO.	SM 04.24.01	TOLERANCES UNLESS NOTED .XX=±.010 .XXX=±.005 FRAC=±1/64 ANG=±1°	FILE # MWSB1	DWN: P.B.	APP:	FINAL
C	MAT'L RMS-19 ADDED	J.L. 12.10.97		MAT'L: SEE TABLE	DT: 07-11-94	DT:	PART #
B	CONVERTED TO ACAD; FILE NO. WAS 05020	PB 07.11.94		RE: RICHCO, INC.	RICHCO INC. PO BOX 804238, CHICAGO, 60680 (773) 539-4060		SEE TABLE
A	RELEASE TAB (RT) ADDED	RS 03.05.93					PRINT TYPE CA
REV	DESCRIPTION	ENGR DATE					